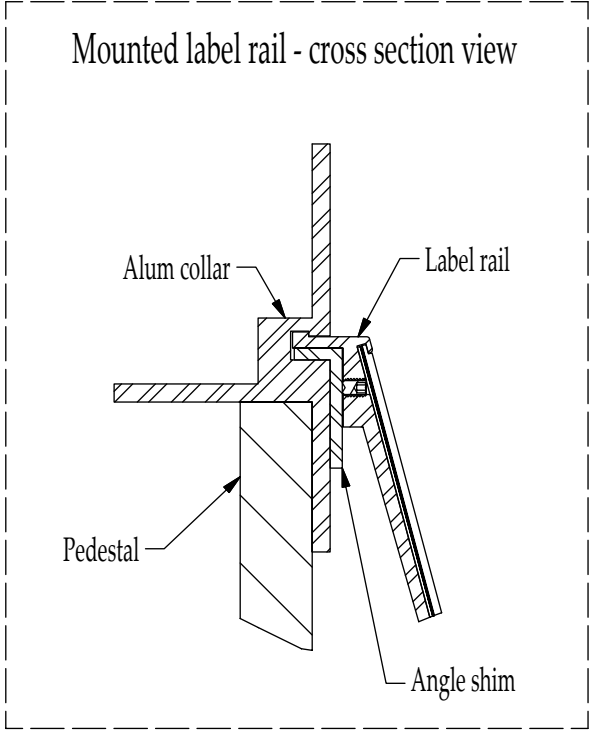
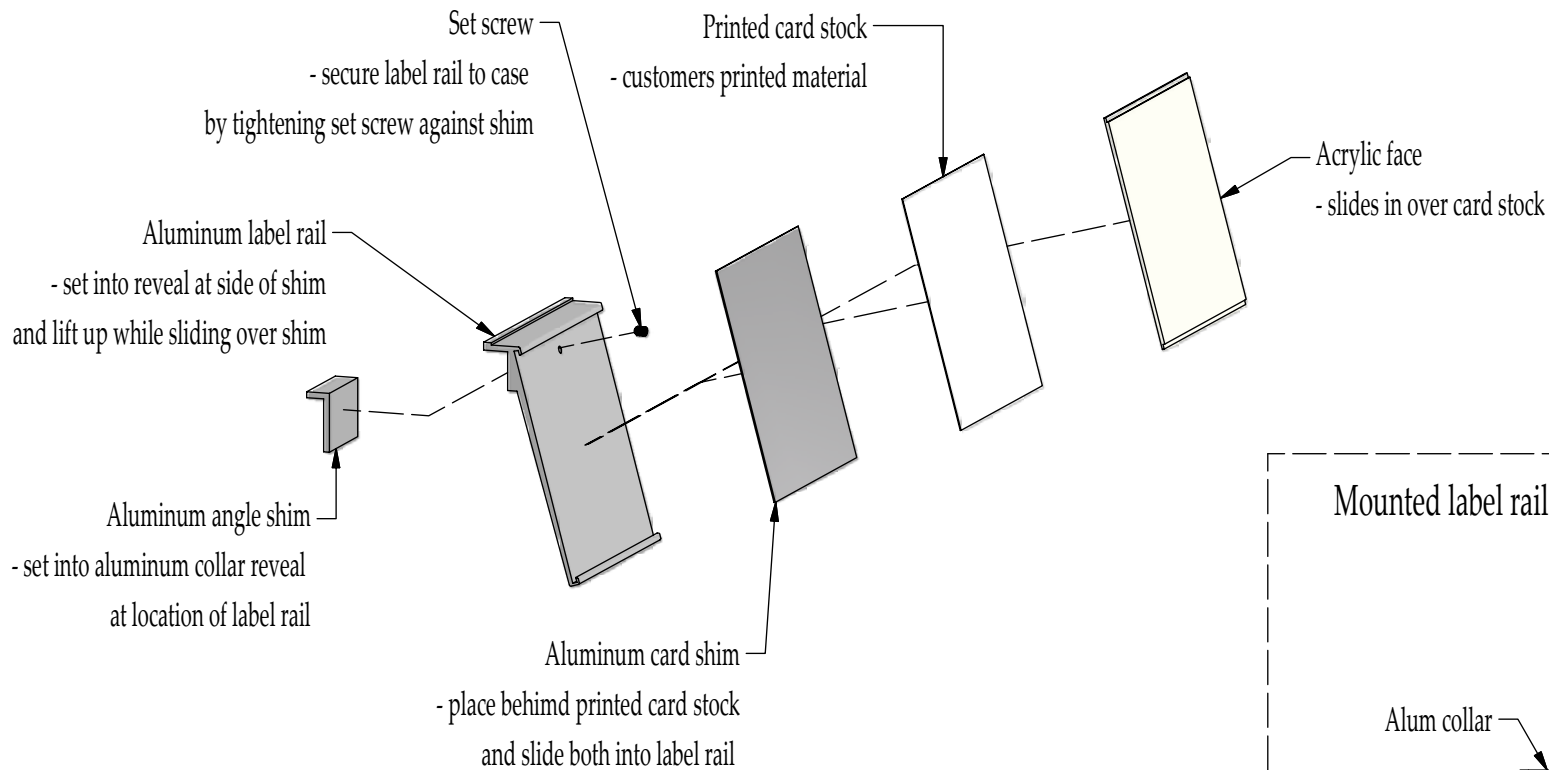


Mounting an external label rail to a pedestal case



Title: **External label rail**

Sheet Description: **Label rail mounting guide**

Notes:

Casework Finish:

Display Deck Finish:

Metals Finish:

Shop Order Number:

SMALLCORP
THE SMALL CORPORATION

413-772-0889 Fax: 413-773-7386 800-392-9500

www.smallcorp.com

DRAWN: GRD

REV: 0

Sheet 1 Of 1

Date: 11/24/2010