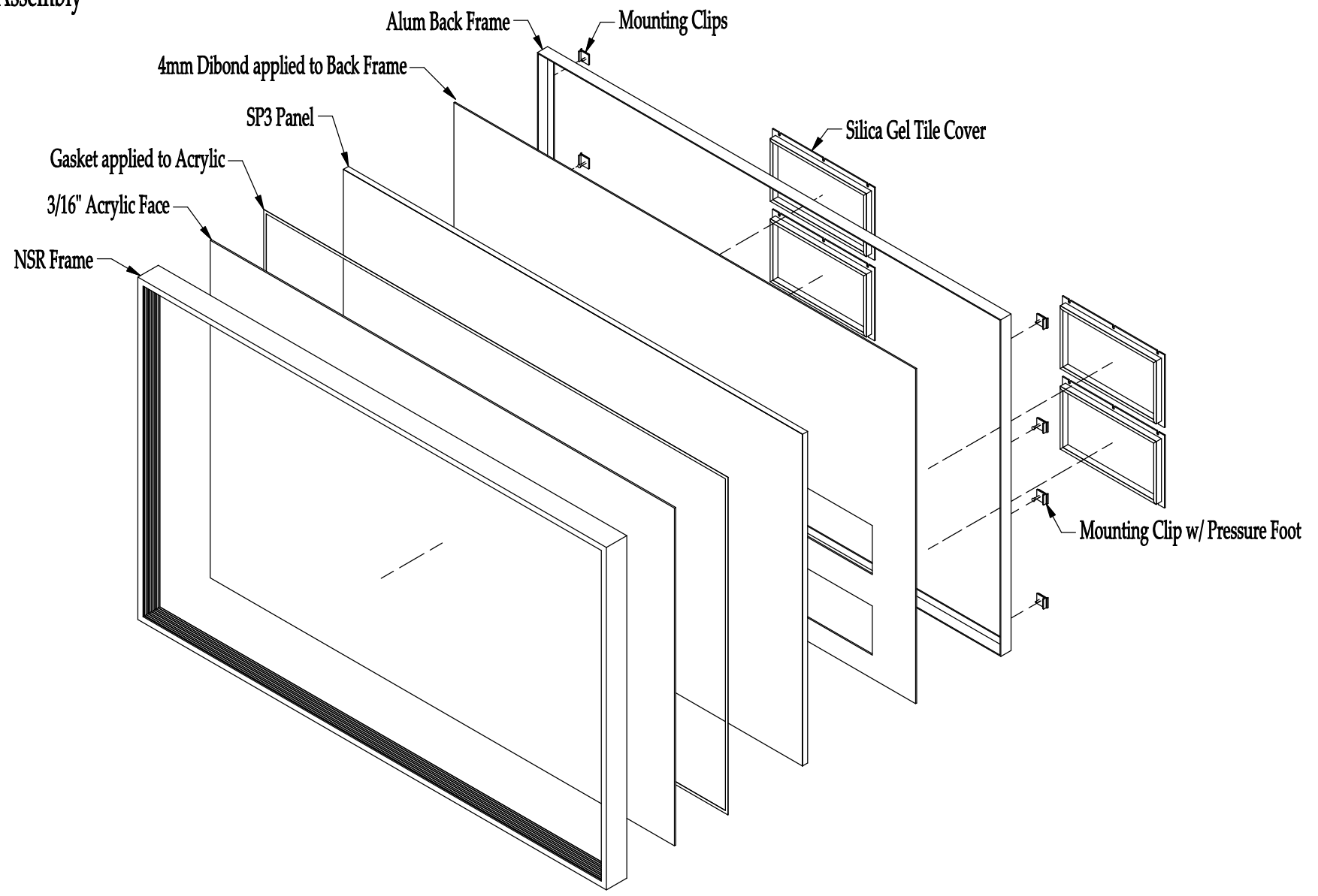



Flag Case Assembly



Title:	Sheet Description: Flag Case Assembly	Notes:	Casework Finish:	 <small>413-772-0889 Fax: 413-773-7386 800-392-9500</small> <small>www.smallcorp.com</small>
			Display Deck Finish:	
Metals Finish:				
Shop Order Number:				
Sheet 1 Of 1				
DRAWN: Dan G	REV: 0	Date: 5/25/2012		